

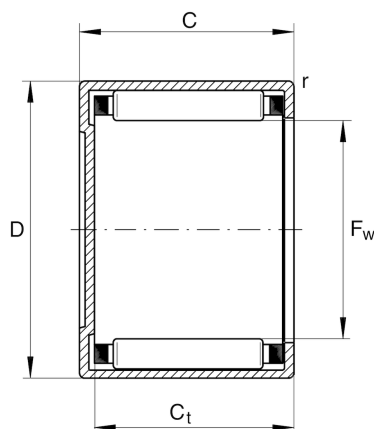
BK0306-TV-A

Drawn cup needle roller bearing closed end

Schaeffler ID:
0005096630000

Drawn cup needle roller bearings with
closed end BK, to DIN 618/ISO 3245

Technical information



Main Dimensions & Performance Data

F_w	3 mm	Under roller diameter
D	6.5 mm	Outside diameter
C	6 mm	Width, outer ring
C_r	1,230 N	Basic dynamic load rating, radial
C_{0r}	840 N	Basic static load rating, radial
C_{ur}	145 N	Fatigue load limit, radial
n_G	48,000 1/min	Limiting speed
$n_{G \text{ Grease}}$	29,000 1/min	Limiting speed for grease lubrication
n_{gr}	57,000 1/min	Reference speed
	0.001 kg	Weight

Additional information

r_{\min}	0.3 mm	Minimum chamfer dimension
$C_{t \min}$	5.2 mm	Minimum width to base of drawn cup with closed end

Temperature range

T_{\min}	-20 °C	Operating temperature min.
T_{\max}	120 °C	Operating temperature max.